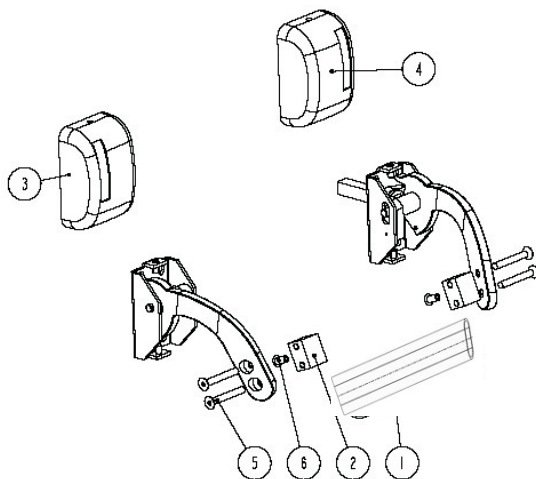


INSTALLATION INSTRUCTION

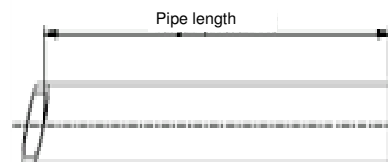
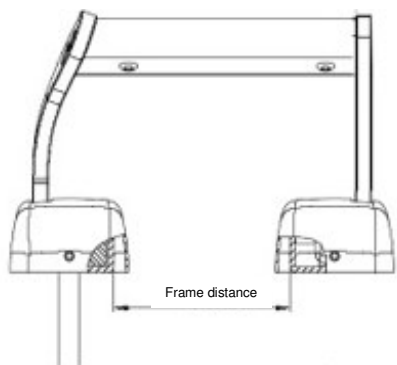
FOR MODELS EX-5011 AND EX-5012



6	Draw rivet	RIVET 4X8
5	Countersunk screw	M5x30 TORX T15
4	Enclosure, right	220-M010
3	Enclosure, left	220-M009
2	Pipe fixture	220-M005
1	Pipe	220-M004

HORIZONTAL INSTALLATION ON RIGHT-HAND AND LEFT-AND DOOR

For horizontal installation: **1.** Take out the enclosure by turning the clamping screws inwards. Mount the lock side against the door to replace the handle with a square spindle with self-tapping screws, first the screw of the lower oval. Check at this stage that the lock side works blamelessly, then attach the screw of the front side of the slide, after that finally the last screw. **Note! No self-tapping screws in the front part of the handle.** Lubricate and test at this stage that the lock side works easily. Mount the enclosure in the correct position by turning the clamping screws outwards



Pipe length = frame distance + 19 mm

2. Attach the pipe to the lock and spring side with Torx screws (5) and attach the spring side to the door with self-tapping screws. **Note! no self-tapping screws in the front part of the handle.**

3. Note! Ensure that the panic bolt works blamelessly. Lubricate the spring side. Remove the Torx screws (5) of the spring side and place the enclosure in the correct position by turning the clamping screws outwards.

4. Attach the pipe to the spring side with Torx screws (5).

NOTE! Use Loctite 222 with Torx screws

WWW.EXITPAINIKE.FI



Necessary tools:
2 mm Allen wrench
T 15 Torx
star-shaped driver of self-tapping screws
4,2 mm drill (rivet)