

INSTALLATION INSTRUCTIONS

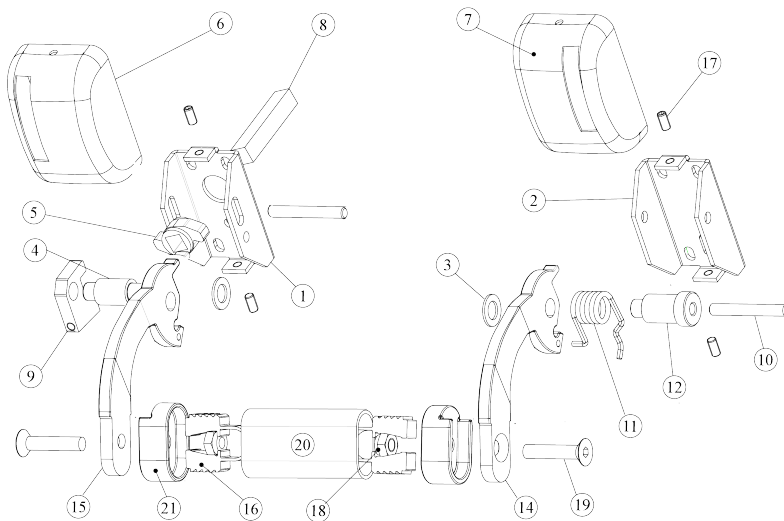
The EXIT-5000 series exit devices are designed to be installed on metal and wood doors. The door construction should have an adequate attachment surface for the attachment screws and the door leaf should be inflexible.

The installer must assure that all products used in the fire door have a fire resistance class equal to or greater than that of the fire door itself. The EXIT-5200 series exit devices comply with the fire resistance class EI 120.

Before installing EXIT-5200 series exit devices assure that:

- the exit device is tested to be suitable for the type* of the lock body (see the list below)
- when the lock body has been installed according to the instructions of the manufacturer, the door should open smoothly.

FOR MODELS **EX-5201AE, EX-5201AEP JA EX-5202AE, EX-5202AEP**

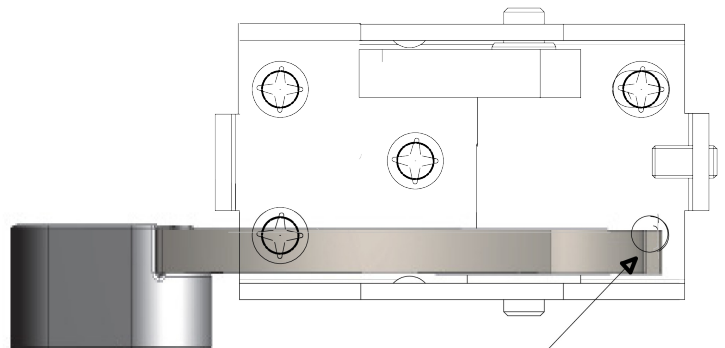
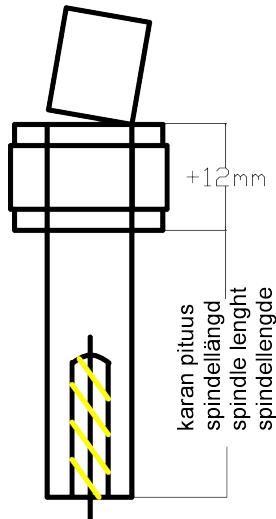


- 6 Housing springside
- 7 Housing lockside
- 14 Handle springside
- 15 Handle lockside
- 16 Rod locking piece
- 17 M4 Clamping screws
- 18 M6 Nyloc
- 19 M6 Torx T30
- 20 Rod
- 21 Sleeve

RIGHT- AND LEFT-HANDED VERTICAL INSTALLATION

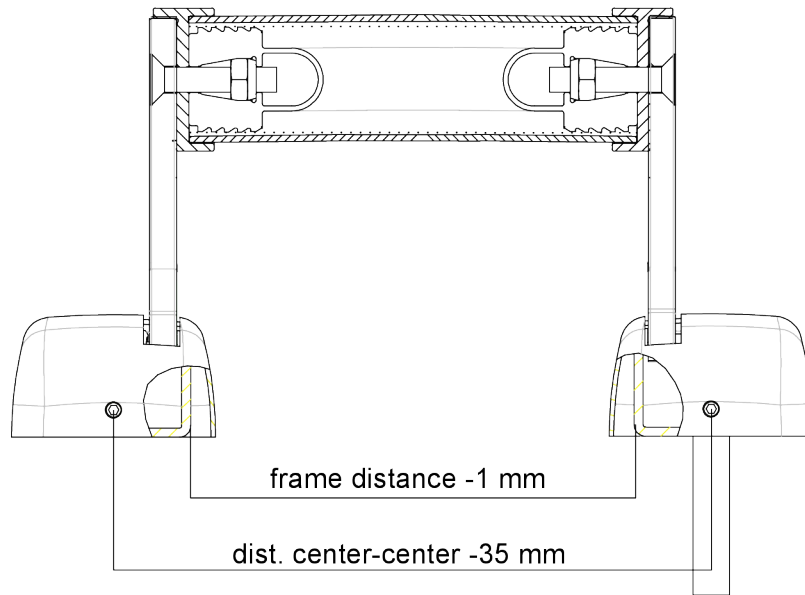
Vertical installation: **1.** Remove the housings (6, 7) by screwing the clamping screw(17) inwards. **2.** Set the lock side onto the door at the site of the exit device with the square spindle and attachment screws, attaching first the screw in the oval at the lower edge of the body. After doing this, make sure that the body on the lock side is straight and that the lock opens smoothly by pushing the handle, just like before installing the exit device. Now install the remaining attachment screws. (Take care that the attachment screws do not contact the lock frame.) **NOTE! None of the attachment screws are attached on the front part of the handle**

mallit EX-xxxxAE/AEP
modeller EX-xxxxAE/AEP
models EX-xxxxAE/AEP

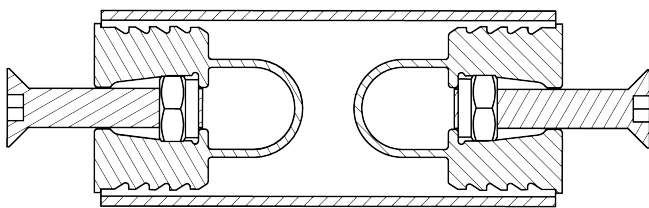


ei kiinnitys ruuvia
ingen fästskruv
ingen festeskruer
no attachment screw

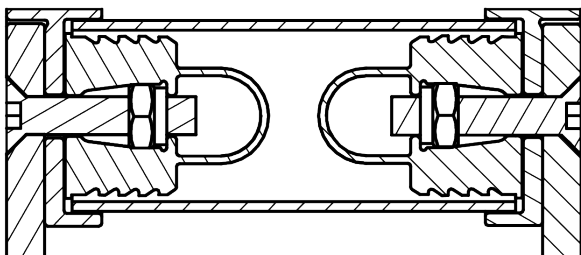




3. Determine (do not attach) the spring side at the desired perpendicular distance from the lock side, measure the distance of the body parts and cut the rod to size (see the figure above)(body distance -1 mm = rod length)(distance between centres -35 mm = rod length)



4. 1. Set the rod locking piece(16) and M6 self locking nuts inside the rod (Note! not completely inside the rod)(see pict.) 2. Remove the screw. 3. Do the same for the other end.



5. Attach the sleeve(21) and rod(20) to the handle(15) with screw(19) and install the spring side to the door, perpendicular to the locking side. Remove the rod

NOTE! None of the attachment screws are attached on the front part of the handle

6. Lubricate the lock and spring side. **7.** Set the housings (6,7) into place by screwing the clamping screw(17) outwards **8.** . Attach the sleeve(21) and rod(20) to the handles(14,15) by the screws(19). **Note! Make sure that the exit device works smoothly. (Use a threadlocker when installing the rod screws)**

*
Abloy: LE 180, 181, 183, 184
LE 310 (LE 314 on order)
EL 480, 495, 580, 581, PE 580, 590



www.exitpainike.fi
p. +358 6 231 4034

Required tools:
- 2 mm Allen wrench
- Torx T30 wrench
- Crosshead screwdriver
- lock vaseline
- hammer
- threadlocker (e.g Loctite 243)