

INSTALLATION INSTRUCTIONS

The EXIT-7000 series exit devices are designed to be installed on metal and wood doors. The door construction should have an adequate attachment surface for the attachment screws (for example 150x150 mm reinforcement at the installation site) and the door leaf should be inflexible.

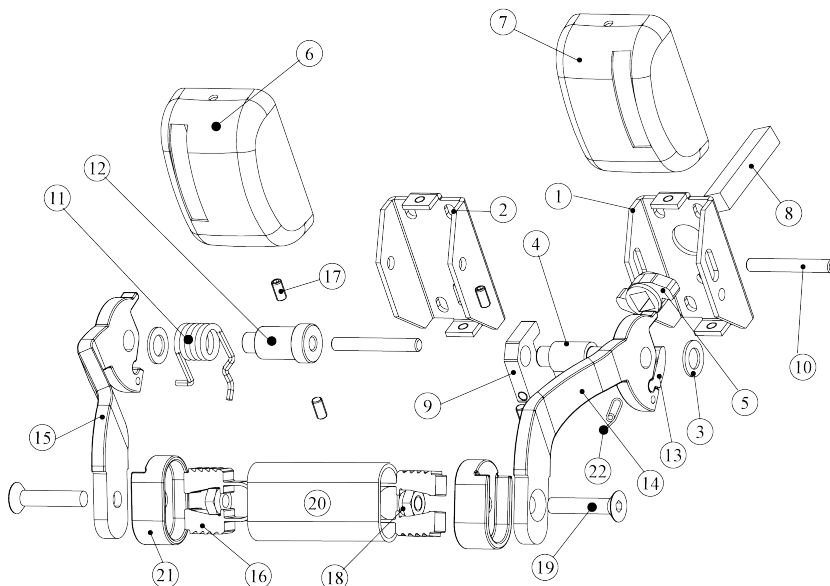
According to EN 1125, the installation height of the exit device is 900 - 1100 mm from the floor surface, however also taking into consideration that the installation height should be suitable for use in the installation site. The length of the rod should be at least 60% of the width of the door leaf.

The installer must assure that all products used in the fire door have a fire resistance class equal to or greater than that of the fire door itself. The EXIT-7000 series exit devices comply with the fire resistance class EI 120.

Before installing EXIT-7000 series exit devices assure that:

- the exit device is tested to be suitable for the type* of the lock body (see the list below)
- when the lock body has been installed according to the instructions of the manufacturer, the door should open smoothly.

FOR MODELS **EX-7011Ae, EX-7011Aep** AND **EX-7012Ae, EX-7012Aep**



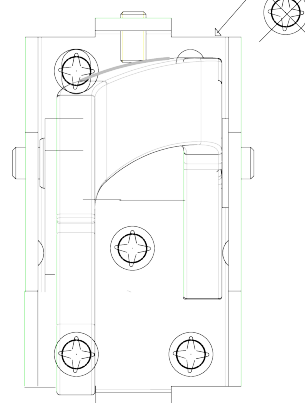
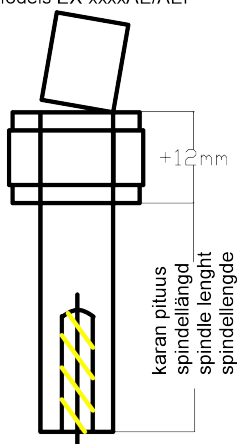
- 6 Housing, left
- 7 Housing, right
- 14 Handle, right
- 15 Handle, left
- 16 Rod locking piece
- 17 M4x8 clamping screw
- 18 M6 Nyloc
- 19 M6 Torx T30
- 20 Rod
- 21 Sleeve

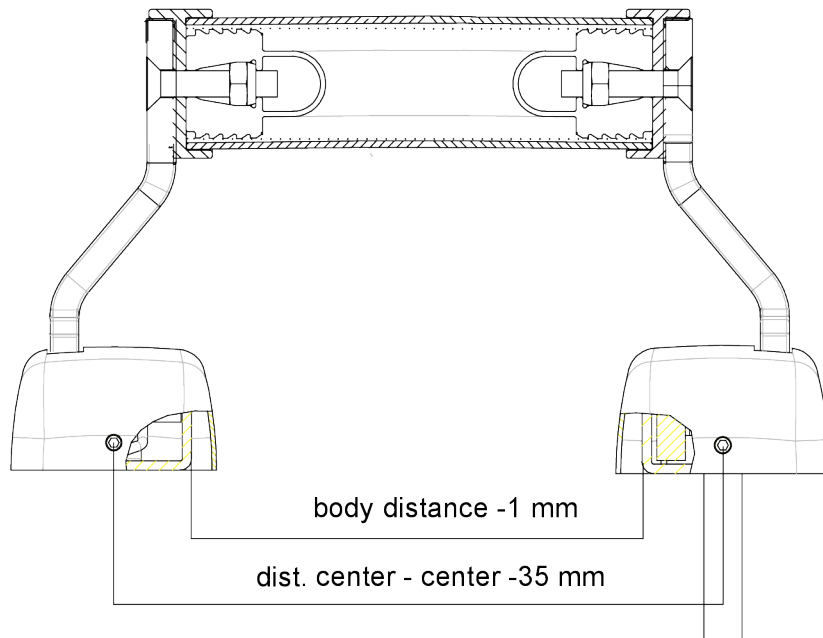
RIGHT- AND LEFT-HANDED HORIZONTAL INSTALLATION

Horizontal installation: 1. Remove the housings (6, 7) by screwing the clamping screw(17) inwards. 2. Set the lock side onto the door at the site of the exit device with the square spindle and attachment screws, attaching first the screw in the oval at the lower edge of the body. After doing this, make sure that the body on the lock side is straight and that the lock opens smoothly by pushing the handle, just like before installing the exit device. Now install the remaining attachment screws. (Take care that the attachment screws do not contact the lock frame.) **NOTE! None of the attachment screws are attached on the front part of the handle**

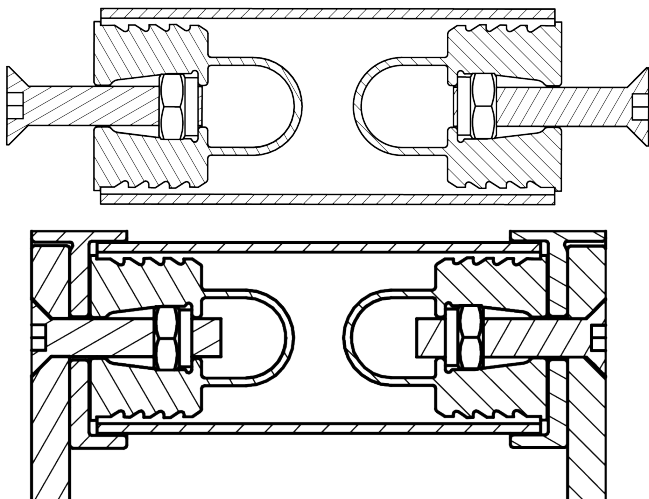
mallit EX-xxxxAE/AEP
modeller EX-xxxxAE/AEP
models EX-xxxxAE/AEP

no
attachment
screws





3. Determine (do not attach) the spring side at the desired perpendicular distance from the lock side, measure the distance of the body parts and cut the rod to size (see the figure above)(body distance -1 mm = rod length)(distance between centres -35 mm = rod length)



4. 1. Set the rod locking piece(16) and M6 self locking nuts inside the rod (Note! not completely inside the rod)(see pict.) 2. Remove the screw. 3. Do the same for the other end.

5. Attach the sleeve(21) and rod(20) to the handles (14) with screws (19) and then the spring side to the door, perpendicular to the lock side. Remove the rod.

NOTE! None of the attachment screws are attached on the front part of the handle

6. Lubricate the lock and spring side. **7.** Set the housings (6,7) into place by screwing the clamping screw(17) outwards **8.** Attach the sleeve(21) and rod(20) to the handles(14,15) with screws (19) (use a threadlocker).

Note! Make sure that the exit device works smoothly. (Use a threadlocker when installing the rod screws)

* CE-marking valid:

Abloy: LE 180, 181, 183, 184

LE 310, 314

EL 480, 495, 580, 581, PE 580, 590



Required tools:

- 2 mm Allen wrench
- Torx T30 wrench
- Crosshead screwdriver
- lock vaseline
- hammer
- threadlocker (e.g Loctite243)

www.exitpainike.fi
tel. +358 6 231 4034